



Product Spec Sheet

614-13

General Description

Roll towel dispenser that fits two 9" roll (228 mm). Smoke cover, white base with 3 prong locking mechanism and an opening in order to see the paper towel consumption. Recommended for public restrooms.

IMAGE



Components and Materials

- Fabricated in ABS plastic (all components)
- Includes instalation Kit

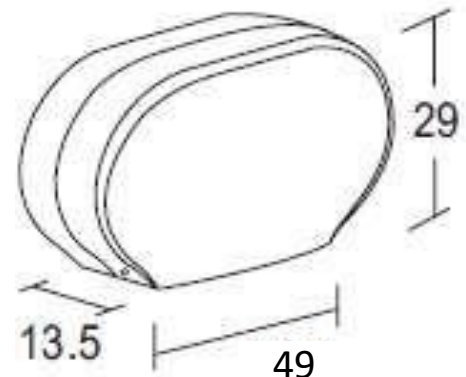
Technical specifications

Dimensions in Milimetres :	Height: 290	Length: 490	Width: 135
Dimensions in Inches:	Height: 11.42	Length: 19.29"	Width: 5.32"
Dimensions in Inches:	Height: 11 13/32	Length: 19 9/32"	Width: 5 5/16"
Capacity :	2 rolls of 9"	228 mm	
Quantity issued :	At convenience		
Weight :	1604 grs.	3.54 lb	
Content per case :	2 pieces per case		
Finish :	Smooth		

Equipment cleaning

For the cleaning of this product a damp roth is all that is needed. Solvents may dull the finish and fade the screen print.

Product Diagram



Functioning

Set roll and leave the tip out in order to start using. Lid contains a saw for easy paper cut.

Installation:

On walls or restroom divisions.

VALIDATED

Engineering department
LLGP061216
REV. 01

Jo fel reserves the right to make modifications and/or changes in the products and components, as well as its specifications without previous notice.